

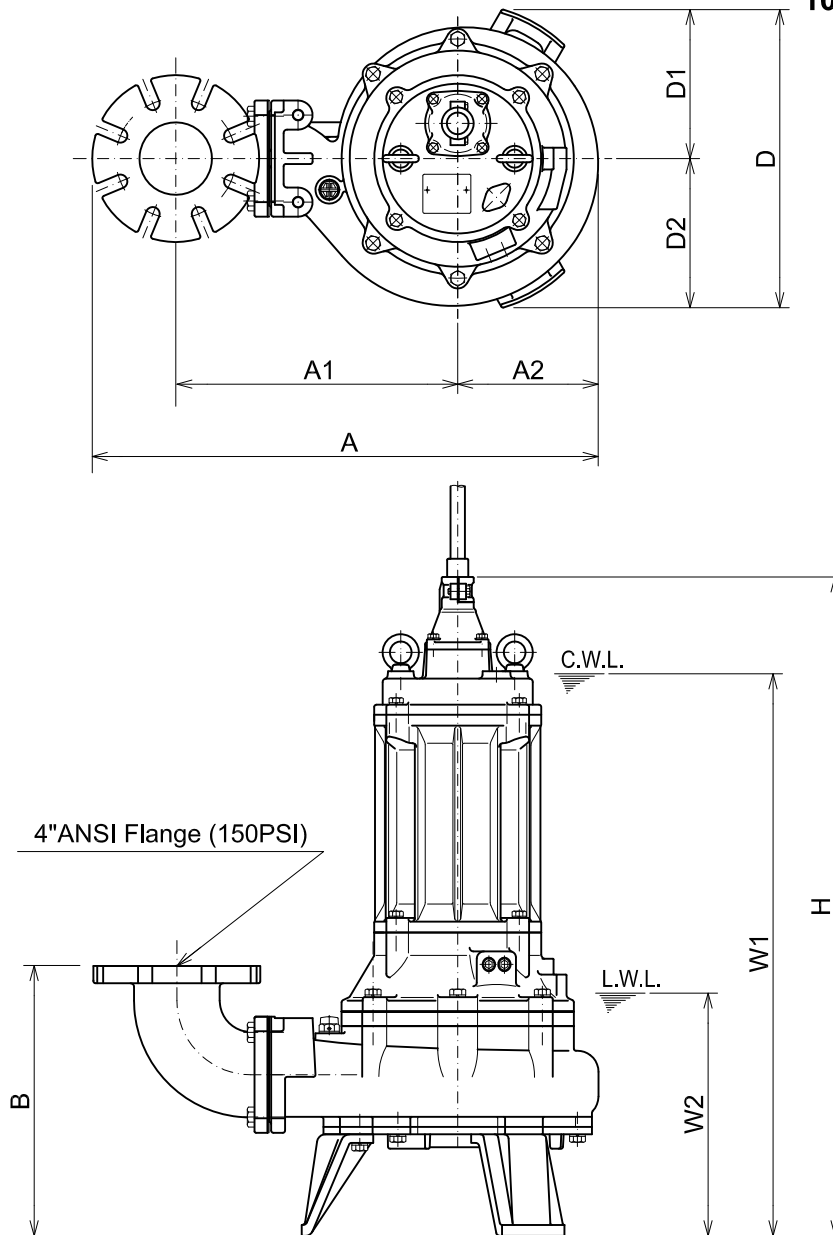


**B-SERIES**  
SEWAGE & WASTEWATER PUMPS

**DIMENSIONS**

Bend model:  
BEND100-100 ANSI

100B45.5 -64  
100B47.5 -64



C.W.L. :Continuous running Water Level  
L.W.L. :Lowest running Water Level

**DIMENSIONS:USCS(Inch)**

Model	HP	NOM. SIZE	Pump & Motor								C.W.L. W1	L.W.L. W2	*Wt. (lbs.)
			A	A1	A2	B	D	D1	D2	H			
100B45.5 -64	7.5	4"	27 13/16	15 5/8	7 5/8	14 5/8	16 1/8	8 1/16	8 1/16	35 3/4	30 1/2	13 1/4	313
100B47.5 -64	10	4"	27 13/16	15 5/8	7 5/8	14 5/8	16 1/8	8 1/16	8 1/16	36 9/16	31 1/2	13 1/4	362

\*Excluding Cable.

**DIMENSIONS:METRIC(mm)**

Model	kW	NOM. SIZE	Pump & Motor								C.W.L. W1	L.W.L. W2	*Wt. (kg)
			A	A1	A2	B	D	D1	D2	H			
100B45.5 -64	5.5	100	706	397	194	372	410	205	205	908	775	335	142
100B47.5 -64	7.5	100	706	397	194	372	410	205	205	929	800	335	164

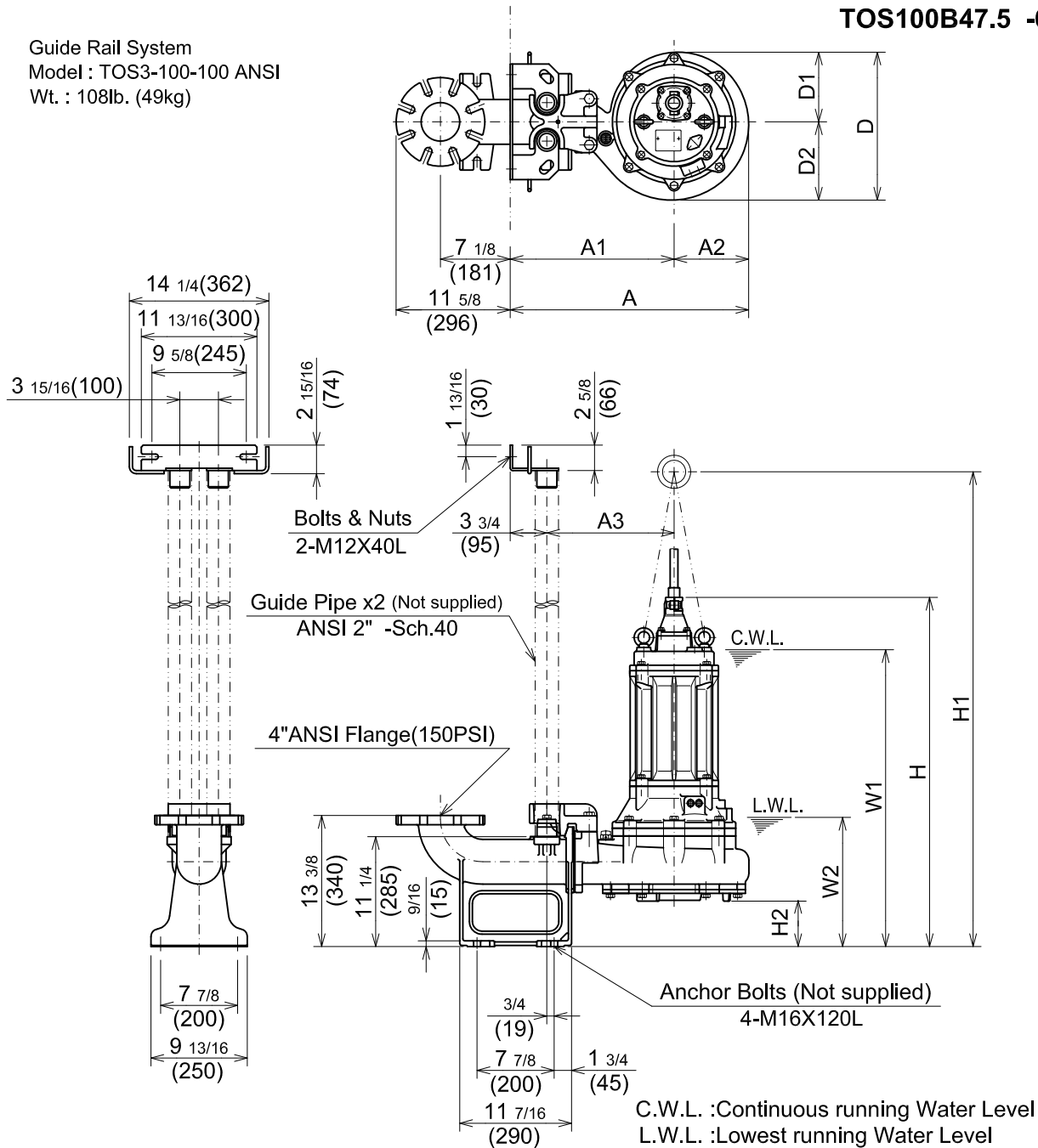


**B-SERIES**  
**SEWAGE & WASTEWATER PUMPS**

**DIMENSIONS**

**TOS100B45.5 -64**  
**TOS100B47.5 -64**

Guide Rail System  
Model : TOS3-100-100 ANSI  
Wt. : 108lb. (49kg)



C.W.L. :Continuous running Water Level  
L.W.L. :Lowest running Water Level

**DIMENSIONS:USCS(Inch)**

Model	HP	NOM. SIZE	Pump & Motor										C.W.L.	L.W.L.	*Wt. (lbs.)
			A	A1	A2	A3	D	D1	D2	H	H1	H2			
TOS100B45.5 -64	7.5	4"	24 3/8	16 3/4	7 5/8	13	15 1/8	7 1/8	8	35 11/16	48 3/4	4 5/8	30 1/2	13 1/4	309
TOS100B47.5 -64	10	4"	24 3/8	16 3/4	7 5/8	13	15 1/8	7 1/8	8	36 1/2	50 1/4	4 5/8	31 1/2	13 1/4	357

**DIMENSIONS:METRIC(mm)**

Model	kW	NOM. SIZE	Pump & Motor										C.W.L.	L.W.L.	*Wt. (kg)
			A	A1	A2	A3	D	D1	D2	H	H1	H2			
TOS100B45.5 -64	5.5	100	619	425	194	330	384	181	203	906	1238	118	775	335	140
TOS100B47.5 -64	7.5	100	619	425	194	330	384	181	203	927	1275	118	800	335	162

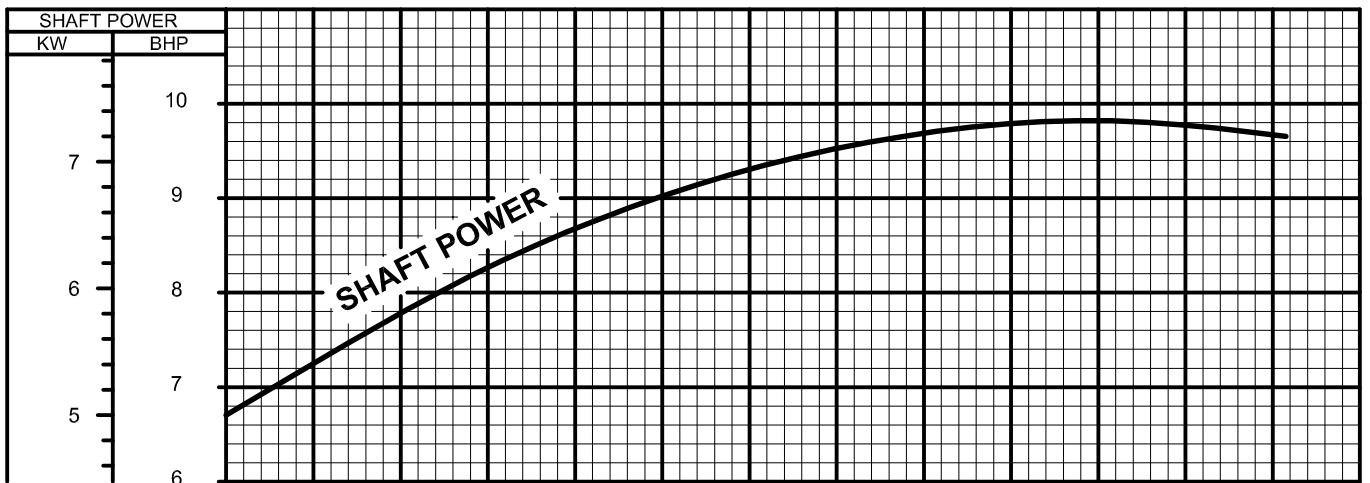
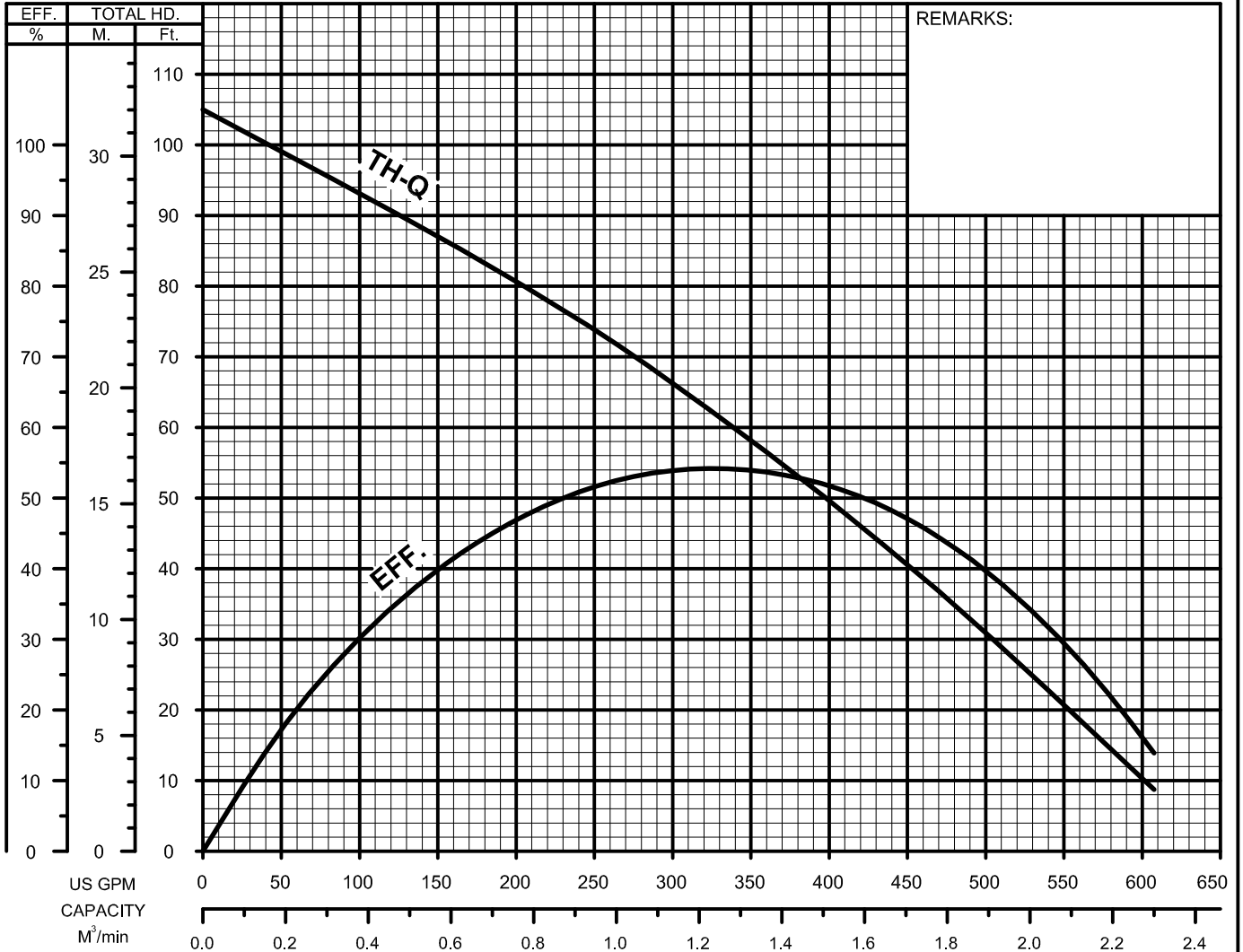
\*Excluding TOS & Cable.



**B-SERIES  
SEWAGE & WASTEWATER PUMPS**

**PERFORMANCE  
CURVE**

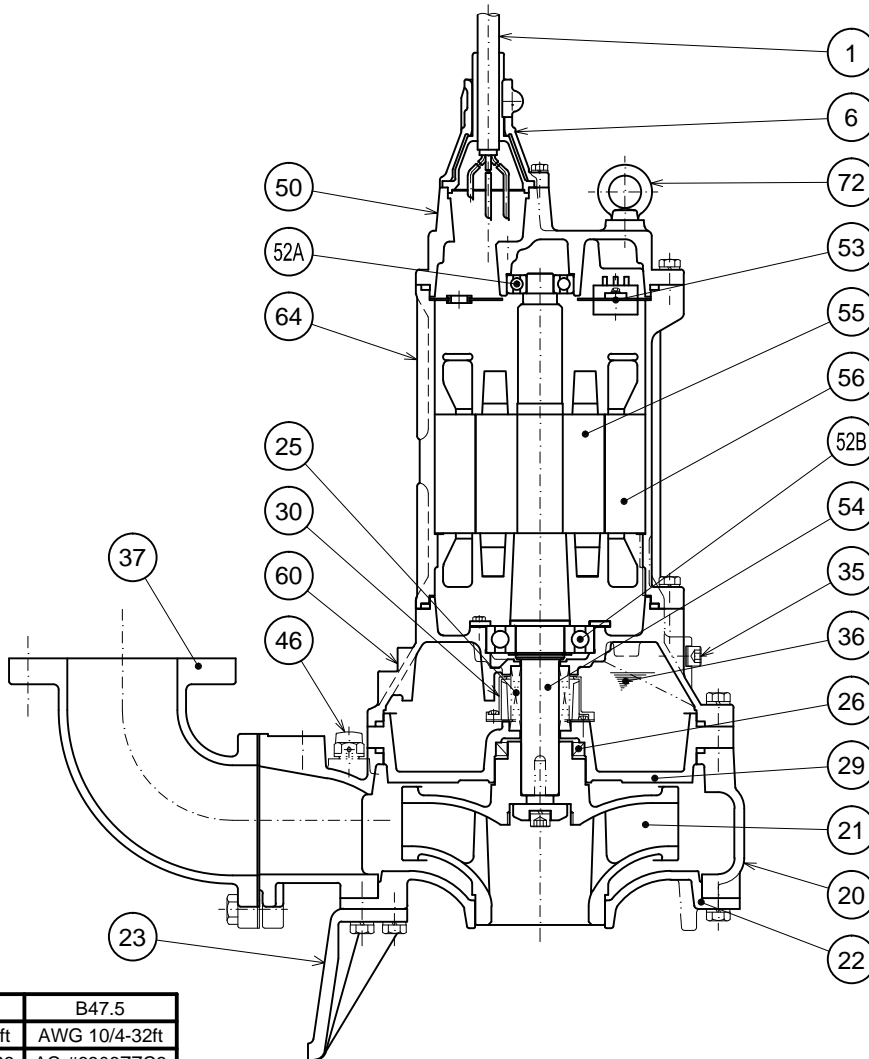
MODEL	BORE	HP	KW	RPM	SOLIDS DIA.	LIQUID	SG.	VISCOSITY	TEMP.
(TOS)100B47.5 -64	4"/100mm	10	7.5	1748	1.57"/40mm	Water	1.0	1.123cSt.	60°F
PUMP TYPE	PHASE	VOLTAGE	AMPERAGE	HZ	STARTING METHOD	INS.CLASS			
Sewage&Wastewater	3	208-230/460/575	28.8-26.6 / 13.4 / 10.8	60	Direct On Line	F			
CURVE No.	DATE	PHASE	VOLTAGE	AMPERAGE	HZ	STARTING METHOD	INS.CLASS		
-	-	-	-	-	-	-	-		





**B-SERIES  
SEWAGE & WASTEWATER PUMPS**

**SECTIONAL VIEW**



**100B45.5 -64**  
**100B47.5 -64**

	B45.5	B47.5
* 1	AWG 12/4-32ft	AWG 10/4-32ft
* 2	AC-#6305ZC3	AC-#6306ZC3

PART#	DESCRIPTION	MAIN MATERIAL / NOTE	RELATED ASTM,AISI CODE	RELATED EN CODE	QTY
1	Power Cable	Chloroprene Sheath * 1			1
6	Stuffing Box	Cast Iron	A48M Class30B	EN 1561 GJL-200	1
20	Pump Casing	Cast Iron	A48M Class30B	EN 1561 GJL-200	1
21	Impeller	Cast Iron	A48M Class30B	EN 1561 GJL-200	1
22	Suction Cover	Cast Iron	A48M Class30B	EN 1561 GJL-200	1
23	Pump Stand	Cast Iron	A48M Class30B	EN 1561 GJL-200	3
25	Mechanical Seal	Silicon Carbide / H-35			1
26	Oil Seal	NBR / TC608212			1
29	Oil Casing	Cast Iron	A48M Class30B	EN 1561 GJL-200	1
30	Oil Lifter	PBT Resin W/GF40			1
35	Oil Plug	Stainless Steel	S 30400	1.4301	2
36	Lubricant	Turbine Oil ISO VG32 or SAE 10W-20			
37	Discharge Bend	Cast Iron / 4"ANSI Flange(150PSI)	A48M Class30B	EN 1561 GJL-200	1
46	Air Release Valve	Nylon			1
50	Motor Bracket	Cast Iron	A48M Class30B	EN 1561 GJL-200	1
52A	Upper Bearing	*2			1
52B	Lower Bearing	#6309ZC3			1
53	Motor Protector				1
54	Shaft	Stainless Steel	S 42000	1.4028	1
55	Rotor				1
56	Stator				1
60	Bearing Housing	Cast Iron	A48M Class30B	EN 1561 GJL-200	1
64	Motor Housing	Cast Iron	A48M Class30B	EN 1561 GJL-200	1
72	Lifting Lug Bolt	Steel	A283 Grade D	EN 10025 S275	2

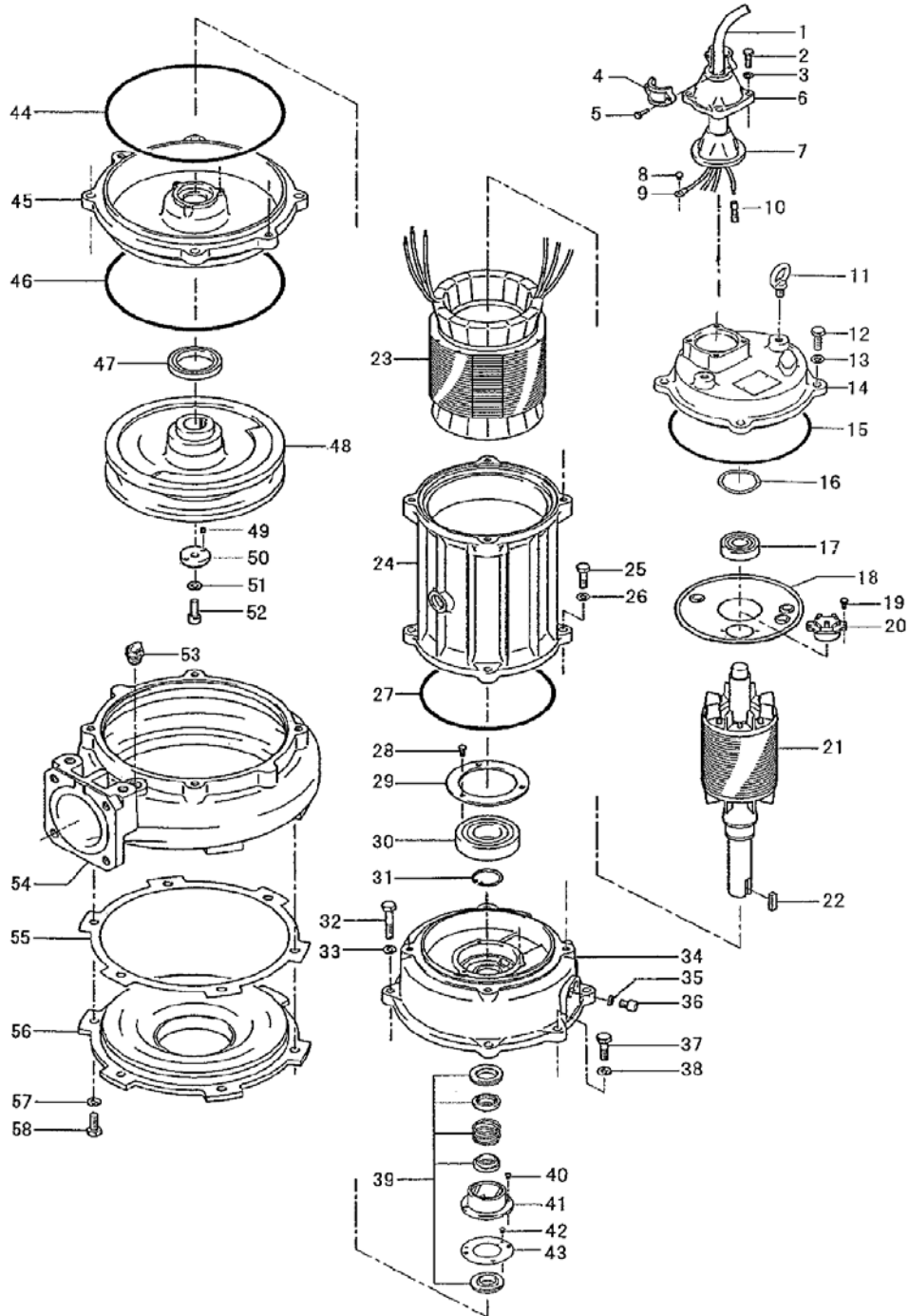
PARTS LIST		SEWAGE & WASTEWATER PUMP			10/26/2017	
ITEM	PART No.	DESCRIPTION	QTY	SIZE	MATERIAL	NOTES
1	001-938-25	Cabtyre Cable Set (32') 60HZ(USA)	1	2PNCT4Cx5.5mm2	KR-2	
2	140-055-10	Hex.Bolt	4	M8x25	SUS304	
3	142-163-18	Spring Washer	4	M8	SUS304	
4	070-107-18	Cable Clamp	1		FC	Included in ITEM#1 Cable Ass'y
5	140-035-14	Hex.Bolt	2	M6x20	SUS304	Included in ITEM#1 Cable Ass'y
6	006-126-14	Stuffing Box	1	No.2	FC	Included in ITEM#1 Cable Ass'y
7	008-143-13	Mould Cover	1	KR2-8	CR	Included in ITEM#1 Cable Ass'y
8	143-085-21	Pan Screw (w/Spring Washer)	1	M4x6	SWRM	
9	009-130-10	Terminal	1	R-5.5-4	CU	Included in ITEM#1 Cable Ass'y
10	009-276-19	Compression type Terminal	3	TMNB-5.5(Insulated)		Included in ITEM#1 Cable Ass'y
11	072-107-14	Eye Bolt	2	M16	SS	can substitute 072-107-27 (SUS304)
	142-399-15	Washer		d17xd29x0.1t	SUS304	
	142-400-10	Washer		d17xd29x0.3t	SUS304	
12	140-098-15	Hex.Bolt	4	M12x35	SUS304	
13	142-165-10	Spring Washer	4	M12	SUS304	
14	050-000-79	Motor Bracket	1		FC	
15	122-173-19	O-Ring	1	V-225(222.5xd6)	NBR	*
16	142-000-08	Wave Washer	1	6306B(d71xd59x4.0t)	SK5	
17	052-000-25	Bearing (w/O-ring)	1	AC-6306ZZC3		
18	058-000-09	Lead Wire Protection Plate	1	d86xd224x1.6t	SPHC	
19	143-126-12	Pan Screw (w/Spring Washer/Plain Washer)	2	M4x12	SWRM	
20	053-456-12	Motor Protector 208/230V-60HZ(USA)	1	KA314-HLBL00	(H.C)	
	053-485-10	Motor Protector 460V-60HZ(USA)	1	KA314-HKXL00	(H.C)	
	053-485-10	Motor Protector 575V-60HZ(USA)	1	KA314-HKXL00	(H.C)	
21	055-000-68	Rotor	1Set			
22	147-067-16	Impeller Key	1	10x8x32L	SUS420	
23	056-C01-19	Stator 208/230V-60HZ(USA)	1Set			
	056-C02-10	Stator 460V-60HZ(USA)	1Set			
	056-C05-13	Stator 575V-60HZ(USA)	1Set			
24	064-000-12	Motor Frame	1		FC	
25	140-100-11	Hex.Bolt	4	M12x45	SUS304	
26	142-165-10	Spring Washer	4	M12	SUS304	
27	122-173-19	O-Ring	1	V-225(222.5xd6)	NBR	*
28	140-032-37	Hex.Bolt	3	M6x15	SWRM	
29	062-223-16	Bearing Fixing Plate	1	d92xd130x4.5t	SS	
30	052-112-10	Bearing	1	6309ZZC3		
31	146-027-11	Retaining Ring	1	C45	SK5	
32	140-104-15	Hex.Bolt	4	M12x65	SUS304	

PARTS LIST		SEWAGE & WASTEWATER PUMP				10/26/2017
ITEM	PART No.	DESCRIPTION	QTY	SIZE	MATERIAL	NOTES
33	142-165-10	Spring Washer	4	M12	SUS304	
34	060-430-12	Bearing Housing	1		FC	
35	121-247-12	Packing	2	d12.3xd18x2t	PE	*
36	035-113-18	Oil Plug	2	M12x14	SUS304	
37	140-099-16	Hex.Bolt	2	M12x40	SUS304	
38	142-165-10	Spring Washer	2	M12	SUS304	
39	025-195-13	Mechanical Seal	1	H-35	SiC	
40	143-070-23	Pan Screw	2	M5x6	SWRM	
41	030-156-18	Oil Lifter	1	H-35(A)(T)	Resin	
42	143-070-10	Pan Screw	3	M5x6	SWRM	
43	030-150-12	Seal Stopper	1	H-35(A)(T)	SPCC	
44	122-159-19	O-Ring	1	G-280(279.3xd5.7)	NBR	*
45	029-187-14	Oil Casing	1	100-5.5/7.5-4B2	FC	
46	122-159-19	O-Ring	1	G-280(279.3xd5.7)	NBR	*
47	026-115-12	Oil Seal	1	TC-608212	NBR	
48	021-806-25	Impeller (60Hz)	1	100B47.5-64	FC	
49	144-530-16	Hex.Socket Set Screw	2	M6x15	SUS304	
50	142-202-10	Impeller Fixing Washer	1	d13xd50x15t	SUS304	
51	142-000-22	Spring Washer	1	M12(CP)	SUS304	
52	140-304-17	Hex.Socket Cap Bolt	1	M12x45	SUS304	
53	046-107-13	Air Release Valve	1	PT-1/2	Nylon	
54	020-531-23	Pump Casing	1	100-5.5/7.5-4B2	FC	
55	120-102-11	Packing (S.Cover)		d301xd328x0.3t	PE	
56	022-521-13	Suction Cover	1	100-5.5/7.5-4B2	FC	
57	142-165-10	Spring Washer	3	M12	SUS304	
58	140-097-14	Hex.Bolt	3	M12x30	SUS304	
	173-001-22	<b>Packing O-Ring Set</b>	1Set	(Marked by *)		
15	122-173-19	O-Ring (M.Bracket/M.Frame)	1	V-225(222.5xd6)	NBR	*
27	122-173-19	O-Ring (M.Frame/Brg.Housing)	1	V-225(222.5xd6)	NBR	*
35	121-247-12	Packing (Oil Plug)	2	d12.3xd18x2t	PE	*
44	122-159-19	O-Ring (Brg.Housing/O.Casing)	1	G-280(279.3xd5.7)	NBR	*
46	122-159-19	O-Ring (O.Casing/P.Casing)	1	G-280(279.3xd5.7)	NBR	*
		Lubricant		Turbine Oil VG32 5,200ml		
	183-013-19	Impeller Puller	1	BE No.13 2"	SGPSS	

PARTS LIST		SEWAGE & WASTEWATER PUMP			10/26/2017	
ITEM	PART No.	DESCRIPTION	QTY	SIZE	MATERIAL	NOTES

## EXPLODED VIEW

100B47.5-64



C-01236-2